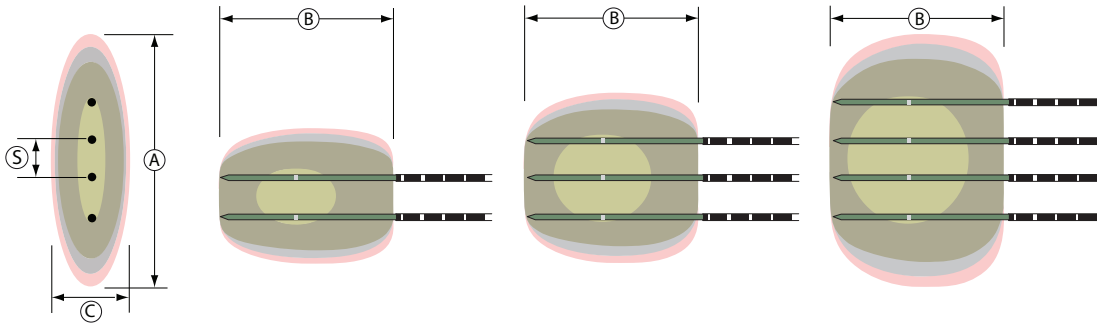






LINEAR MWA SURGICAL ANTENNAS CONFIGURATION FOR PLANAR COAGULATION

The following illustration and table depict the approximate size of an ablation zone that may be created by multiple Evident™ MW Ablation Surgical Antennas energized simultaneously at 45 W and 2 minutes at various spacings. When performing planar coagulation prior to resection with multiple antennas, do not space antennas closer than 1 cm for ablation time greater than 3 minutes, and do not space antennas closer than 0.5 cm for ablation time greater than 30 seconds.



45 W  2:00			
S	1.0 cm	1.0 cm	1.0 cm
A	2.4 cm	3.3 cm	4.4 cm
B	3.4 cm	3.4 cm	3.4 cm
C	1.7 cm	1.7 cm	1.7 cm